

Refer to:

'Installation Instructions for FD, DFD, FD X series, and DFD-X series Curtain Fire Dampers (Part #481324)

or

'Installation Instruction for FSD-xxx, DFD-xxx, and SSFSD-xxx series Fire and Combination Fire Smoke Dampers (Part #481318) for additional details.



Application

Horizontal installation of DFD, FD, DFD-X, and FD-X series in concrete floors utilizing a steel deck. The hole opening made through the concrete floor may not allow the bottom angle to be placed against the steel deck on an even plane. This installation details how to properly install the required retaining angles next to the steel deck. For single side retaining angle installations, refer to Greenheck installation instructions (481318 and 481324).

Two Side Retaining Angle Installations

1. Retaining angles are required on top and bottom sides of damper as detailed in the Greenheck installation instructions (481318 and 481324). Legs on angles may be reversed such that one leg is inserted into the floor opening.
2. Installation of the bottom retaining angle against the uneven steel deck shall be done such that the angles on each side of the sleeve are as close to the barrier as possible. In other words, the angles on each side of the sleeve may be in different planes relative to each other (see Figure 1 and 2).
3. When viewed from the end of the sleeve, the angles must overlap each other in the corners such that no sight through is possible (see Figure 2).

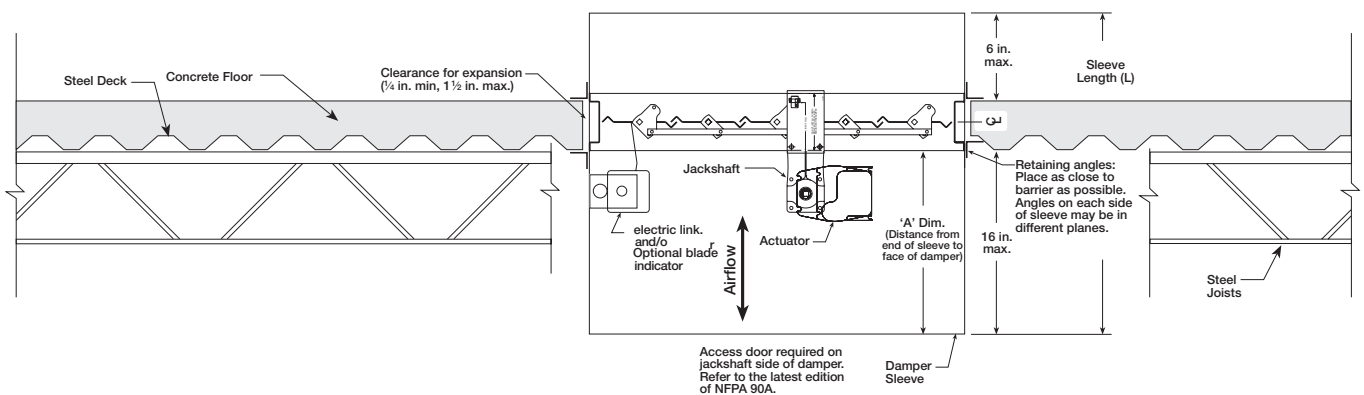


Figure 1: Damper installed in the concrete floor with a steel deck.

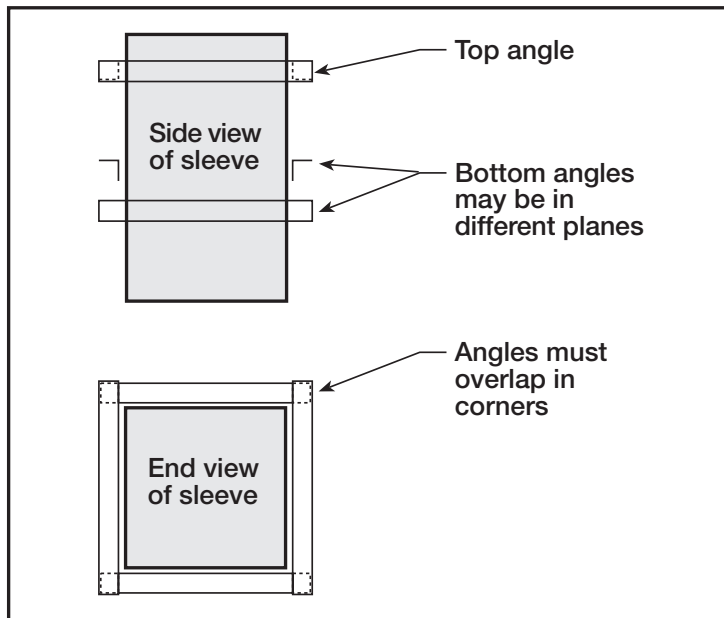


Figure 2: Retaining angle installation

Our Commitment

As a result of our commitment to continuous improvement, Greenheck reserves the right to change specifications without notice.

Product warranties can be found online at Greenheck.com, either on the specific product page or in the literature section of the website at Greenheck.com/Resources/Library/Literature.

